

Z1180 SOLIDS INTERCEPTOR



ENGINEERING SPECIFICATION

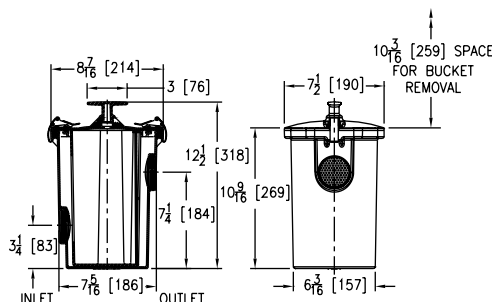
Zurn Z1180 solids interceptor works in lieu of fixture "P" trap. Features acid resistant composite, on-floor installation, removable PVC sediment bucket with a removable 3/32" diameter perforated flow defusing/intercepting PVC screen, top access, gasketed, secured cover, stainless steel draw latches and hardware with an ABS handle for easy removal of sediment bucket and screen.

NOTES

*Regularly furnished with 2" threaded low inlet and high outlet.

CAUTION

Interceptors must be maintained periodically in order to ensure proper operation of the system. Follow cleaning schedule based on usage.



Inlet/Outlet inch [mm]	Flow Rate gpm [LPM]	Approximate Weight lb [kg]
1-1/2 [38], 2 [51]*	15 [57]	6 [3]

PREFIXES	DESCRIPTION	LIST PRICE
Z1180*	Standard Assembly (See Engineering Specification)	1,422.00
ZA1180	Acid Resistant Coated Fabricated Steel (Design different than what is shown.)	2,345.00
SUFFIXES	DESCRIPTION	ADD
-CS	Custom Screens (Specify material and perforation size required.)	POA
-RS	Replacement 3/32" Diameter Perforated Screen for Bucket	299.00
-SS	Stainless Steel 3/32" Diameter Perforated Screen for Bucket	446.00
-Y	Replacement Bucket Assembly with 3/32" Diameter Perforated Screen	576.00
BEST SELLERS		LIST PRICE
Z1180-1-1/2IP		1,422.00
Z1180-1-1/2-SS		1,868.00
Z1180-2IP		1,422.00
Z1180-2IP-SS		1,868.00
ZA1180-2IP		2,345.00
ZA1180-2IP-SS		2,791.00

Z1181 SOLIDS INTERCEPTOR



ENGINEERING SPECIFICATION

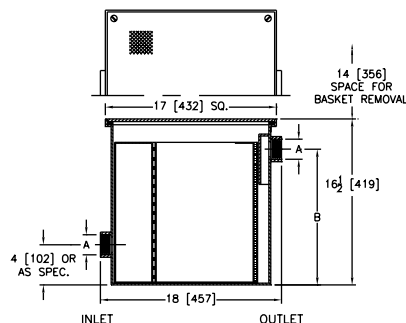
Zurn Z1181 solids interceptor features large capacity, acid resistant coated interior and fabricated steel exterior. Works in lieu of fixture "P" trap for on-floor or flush with floor installation. Furnished with a removable, acid resistant coated fabricated steel bucket with removable primary (3/8" diameter holes) and secondary (3/32" diameter holes) flow diffusing/intercepting brass screens, and complete with a top access, gasketed, secured cover.

NOTES

*Regularly furnished with 2" threaded low inlet and high outlet.

CAUTION

Interceptors must be maintained periodically in order to ensure proper operation of the system. Follow cleaning schedule based on usage.



A Inlet/Outlet inch [mm]	B	Flow Rate gpm [LPM]	Approximate Weight lb [kg]
1-1/2 [38], 2 [51]*	13-1/2 [343]	30 [114]	40 [18]
3 [76]	13 [330]		

PREFIXES	DESCRIPTION	A INLET/OUTLET	LIST PRICE
Z1181*	Standard Assembly (See Engineering Specification)	1-1/2", 2"	4,969.00
		3"	5,088.00
SUFFIXES	DESCRIPTION	A INLET/OUTLET	ADD
-CS	Custom Screens (Specify material and perforation size required.)		POA
-R	Acid Resistant Coated Interior and Exterior Fabricated Steel Recessing Receiver for Recessed Installation is Equipped with Adjustable Support Brackets and Gasketed, Non-Skid, secured cover with removable Lift Handle		6,890.00
-SS	Stainless Steel Perforated Screens for Bucket (Specify perforation size.)	1-1/2", 2"	803.00
		3"	922.00
-Y	Replacement Bucket Assembly with Perforated Screens	1-1/2", 2"	2,305.00
		3"	2,424.00
BEST SELLERS			LIST PRICE
Z1181-1-1/2IP			4,969.00
Z1181-2IP			4,969.00
Z1181-2IP-SS			5,772.00
Z1181-3IP			5,088.00
Z1181-3IP-R			11,978.00